

DE LA RECHERCHE À L'INDUSTRIE



EIC Solenoid Magnetic Field Maps

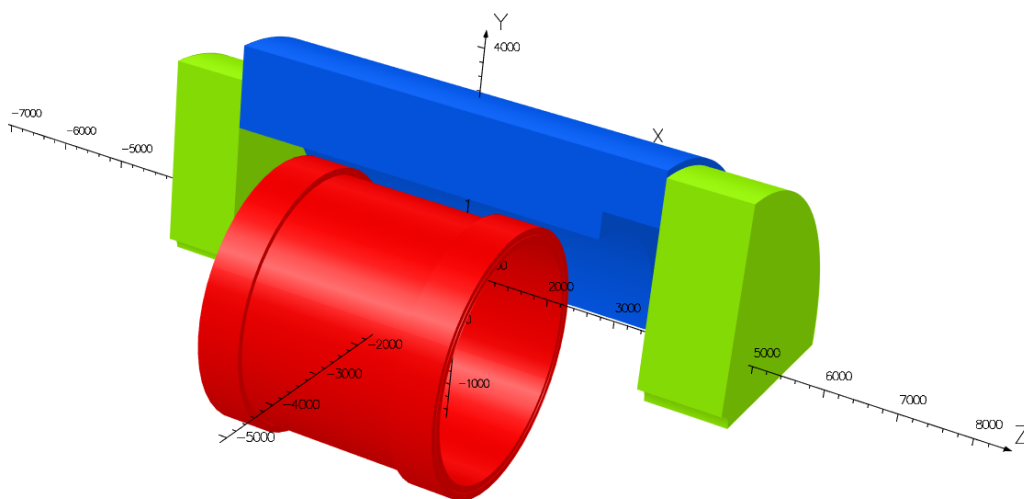
CEA: V. Calvelli,
J-LAB: R. Rajput-Ghoshal



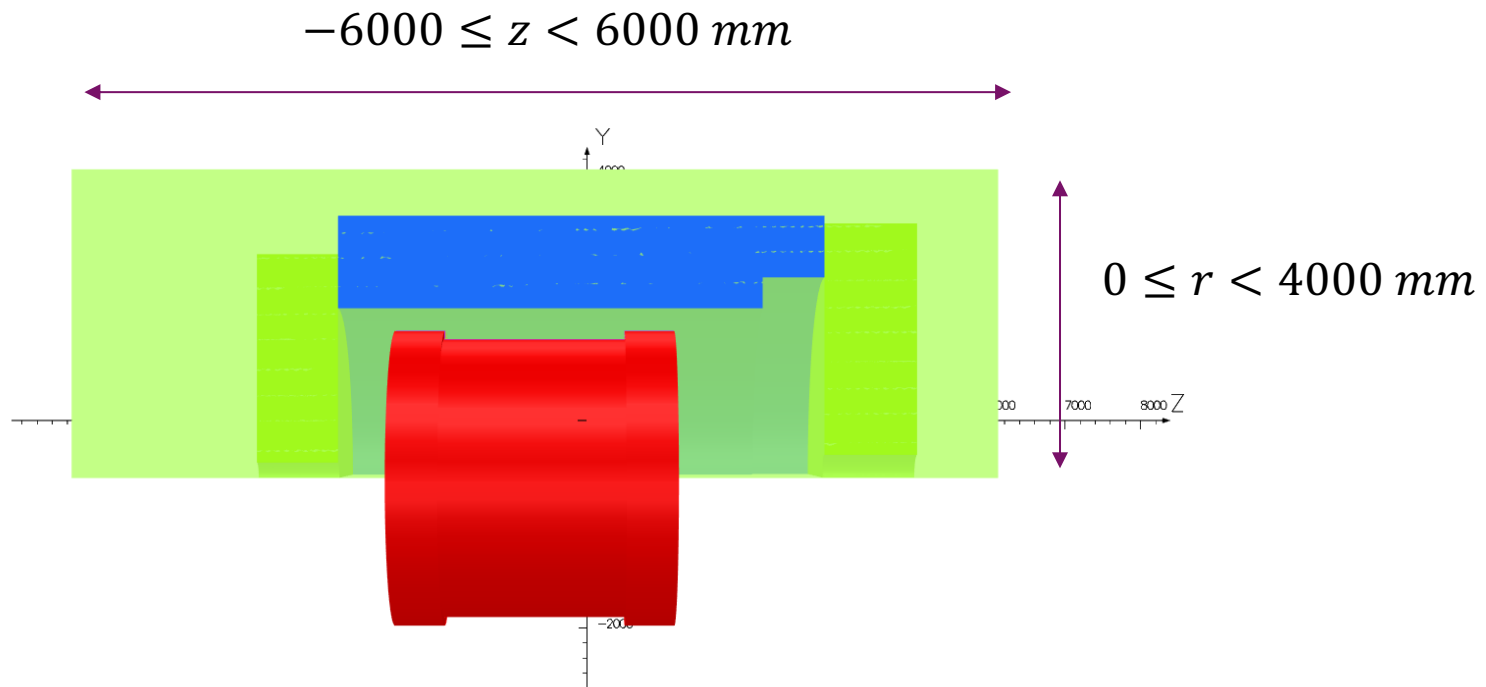
7/4/21

30/04/2021

Solenoid version – Mar 2021



Dimensions:



Maps calculated in the YZ positive plan, equivalent of RZ plan for the symmetry of the model

MAP: *EIC_Magnetic_Field_Map_2021_04_30_cart_coords_[mm]_[T].Bmap*

FORMAT

Coordinates in (mm)
1 digit precision

Magnetic field in (T)
4 digits precision

Points calculated
every 20 mm

X (mm)	Y (mm)	Z (mm)	Bx (T)	By (T)	Bz (T)
0.0	0.0	-6000.0	0.0000	0.0000	-0.0056
0.0	0.0	-5980.0	0.0000	0.0000	-0.0057
0.0	0.0	-5960.0	0.0000	0.0000	-0.0057
0.0	0.0	-5940.0	0.0000	0.0000	-0.0058
0.0	0.0	-5920.0	0.0000	0.0000	-0.0059
0.0	0.0	-5900.0	0.0000	0.0000	-0.0059
0.0	0.0	-5880.0	0.0000	0.0000	-0.0060
0.0	0.0	-5860.0	0.0000	0.0000	-0.0061
0.0	0.0	-5840.0	0.0000	0.0000	-0.0061
0.0	0.0	-5820.0	0.0000	0.0000	-0.0062
0.0	0.0	-5800.0	0.0000	0.0000	-0.0063
0.0	0.0	-5780.0	0.0000	0.0000	-0.0063
0.0	0.0	-5760.0	0.0000	0.0000	-0.0064
0.0	0.0	-5740.0	0.0000	0.0000	-0.0065
0.0	0.0	-5720.0	0.0000	0.0000	-0.0065
0.0	0.0	-5700.0	0.0000	0.0000	-0.0066
0.0	0.0	-5680.0	0.0000	0.0000	-0.0067

MAP: *EIC_Magnetic_Field_Map_2021_04_30_radial_coords_[cm]_[T].Bmap*

FORMAT

Coordinates in (cm)
1 digit precision

Magnetic field in (T)
4 digits precision

Points calculated
every 2 cm

R (cm)	Z (cm)	Br (T)	Bz (T)
0.0	-600.0	0.0000	-0.0056
0.0	-598.0	0.0000	-0.0057
0.0	-596.0	0.0000	-0.0057
0.0	-594.0	0.0000	-0.0058
0.0	-592.0	0.0000	-0.0059
0.0	-590.0	0.0000	-0.0059
0.0	-588.0	0.0000	-0.0060
0.0	-586.0	0.0000	-0.0061
0.0	-584.0	0.0000	-0.0061
0.0	-582.0	0.0000	-0.0062
0.0	-580.0	0.0000	-0.0063
0.0	-578.0	0.0000	-0.0063
0.0	-576.0	0.0000	-0.0064
0.0	-574.0	0.0000	-0.0065
0.0	-572.0	0.0000	-0.0065
0.0	-570.0	0.0000	-0.0066
0.0	-568.0	0.0000	-0.0067
0.0	-566.0	0.0000	-0.0068